



## Installation Instructions

***For: 1980-1986 CJ7 and 1986-1991 Wrangler with Bestop Supertop Hardware***

**Part Number 90003**

Congratulations on your purchasing decision. Bestop designed the Duster to give you years of dependability and performance with proper care. If you encounter any problems during the installation of your Duster, or at any later date, please contact your authorized Bestop dealer or call our Consumer Response Department, Monday - Friday at (800)346-3910 or (303) 465-1755 in Colorado.

### **WARNING**

This product is designed primarily to enhance the appearance of the vehicle and to shield the occupants from ordinary weather conditions. Do not rely in any way on the components of this product to contain occupants within the vehicle, or to protect against injury or death in the event of an accident. This top will not protect the occupants from falling objects. Never operate vehicle in excess of manufacturer's specifications.

**WEAR SEAT BELTS AT ALL TIMES**

Read and follow, precisely, all installation instructions provided when installing top. Failure to do so may result in a poor fitting top and could place occupants of the vehicle in a potentially dangerous situation.

### **Installation Tips**

*Before you begin installing this top assembly, read all instructions thoroughly. Below are a few tips to make this installation easier.*

#### **For a smooth fit:**

For ease in installation, the Duster should be installed at temperatures above 72° F. Below this temperature, the fabric may contract an inch or more, making it difficult to fit to the vehicle.

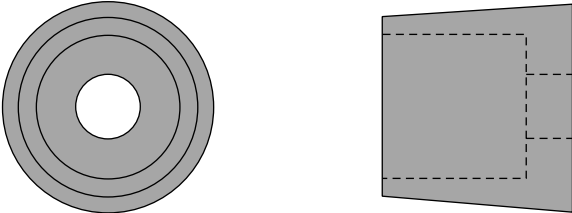
It is normal for fabric to contract and wrinkle when stored in the shipping carton. Within a few days after the installation, the fabric will relax and the wrinkles will disappear.

**Parts Kit**

Duster Qty - 1

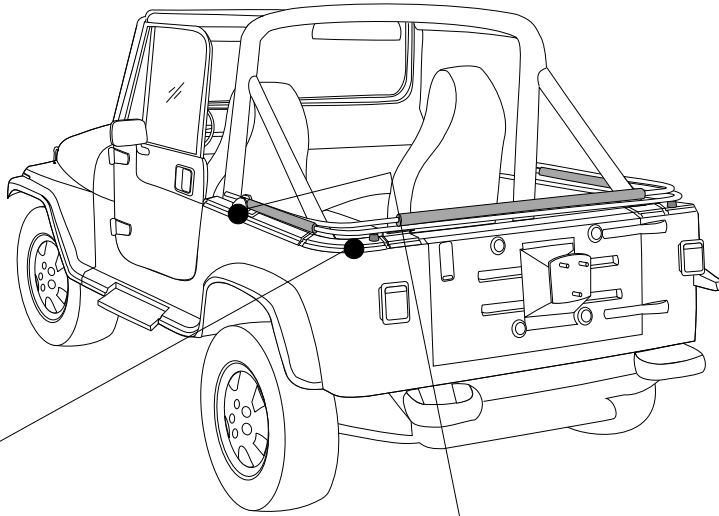
---

Bumper Bow Support, Qty - 2,  
Part Number 292.34



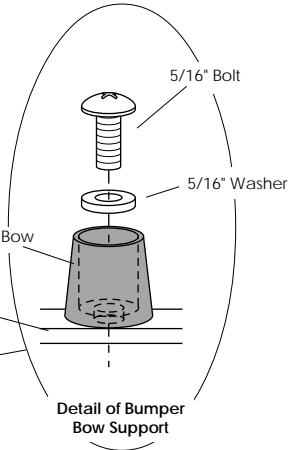
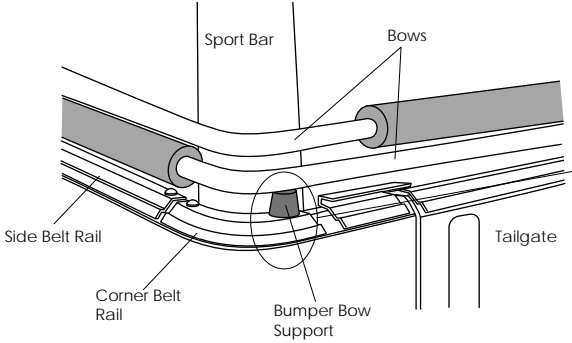
**Step One**

Remove your soft top from the hardware.  
Fold the top and store it.



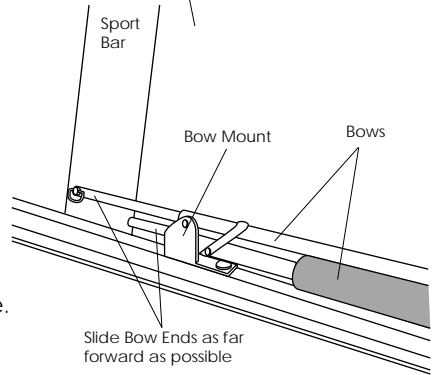
**Step Two**

Locate the 5/16" bolts and washers that secure the Corner Belt Rails (two on each side). Remove the rear bolt and washer. Slip the bolt and washer into the Bumper Bow Support and reinstall the bolt into the hole in the Corner Belt Rail. Do this on both sides of the vehicle.



**Step Three**

Lower the bows and slide them as far forward as possible. The ends of the bottom bow should slide inside the Bow Mounts. This is necessary for the Duster to fit properly.

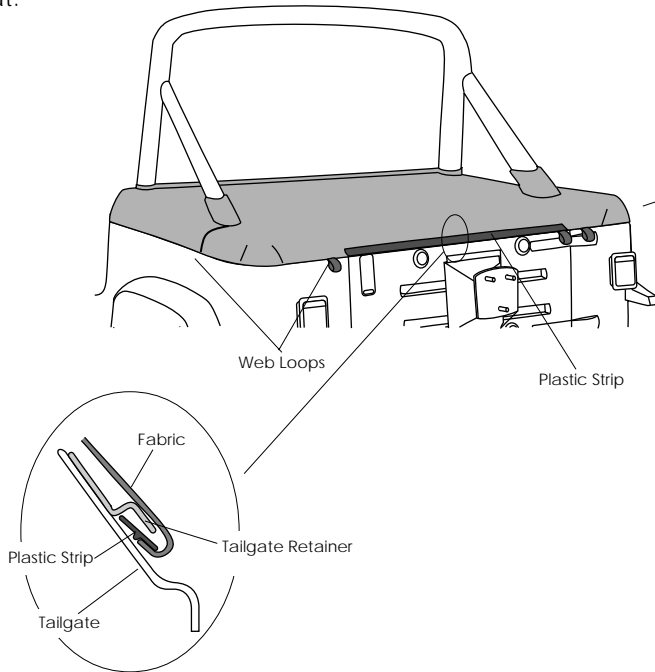


90003 2

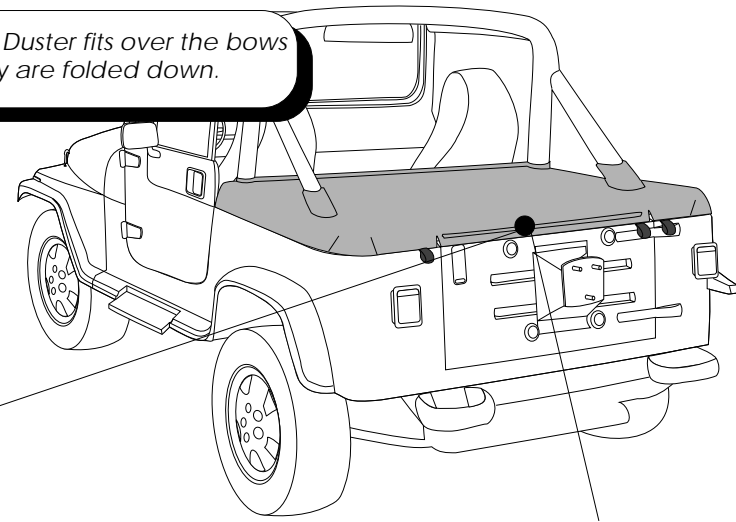
## Step Four A

### For vehicles with Supertop Belt Rail Hardware Attached to the Tailgate

Fold down or remove the rear seat. Drape the cover over the vehicle from the back, vinyl side up. Slide the plastic, sewn to the cover above the tailgate, into the Tailgate Retainer. The plastic reinforcement must lay flat.



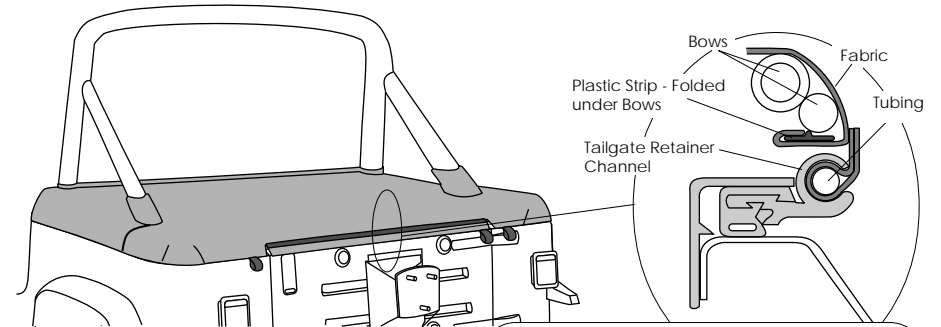
**Note:** The Duster fits over the bows when they are folded down.



## Step Four B

### For vehicles with Supertop Tailgate Retainer Hardware

Fold down or remove the rear seat. Make sure that the Tailgate Retainer is in place in the Tailgate Retainer Mounts. From the back of the vehicle, hold the cover with the backing side toward you. Slide the tubing on the cover into the channel in the Tailgate Retainer. Lift the bows slightly and place the plastic strip, sewn to the rear, under the bows. Then drape the fabric forward over the rear of the vehicle.



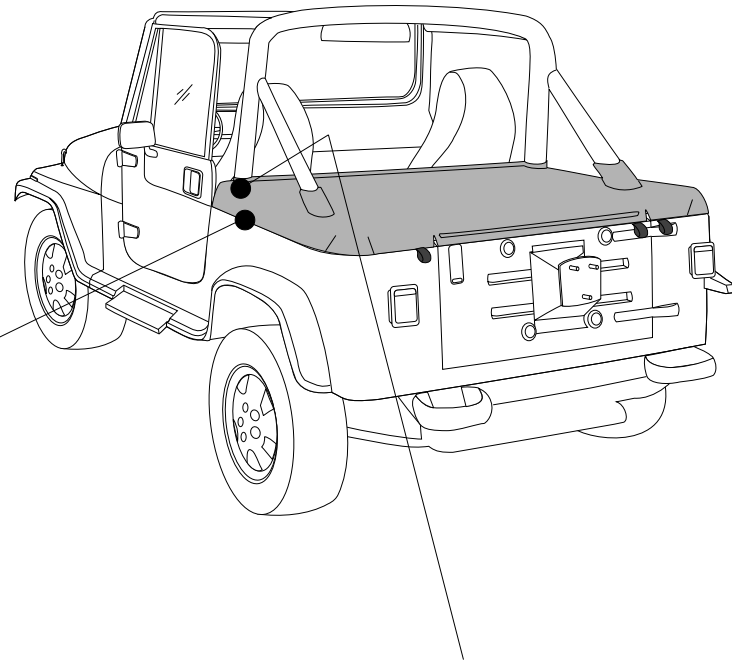
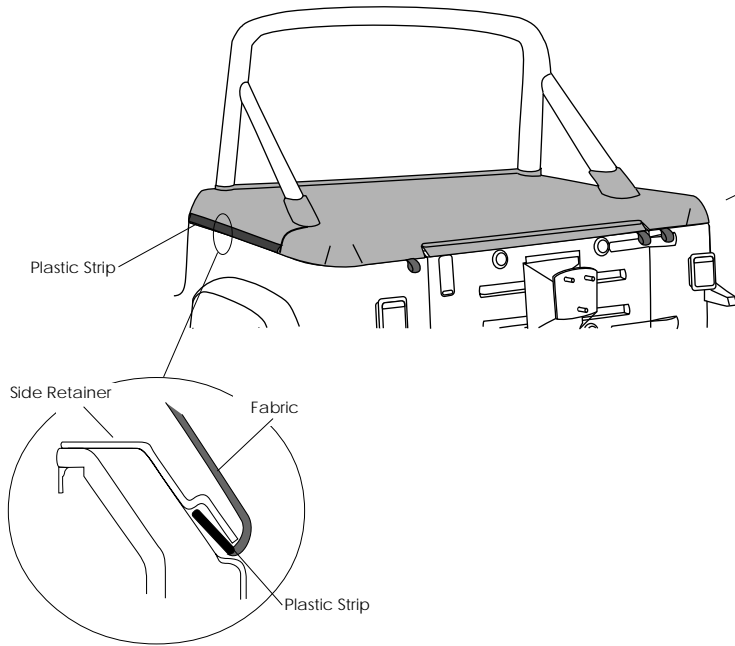
**Note:** The Plastic Strip on the bottom of the cover will not be used and will be tucked up under the bows.



90003 3

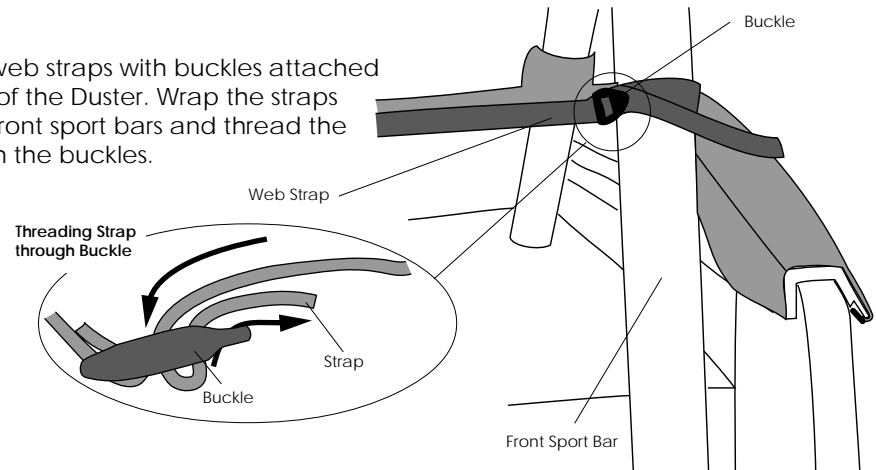
### Step Five

Install the plastic strips on the sides into the Side Retainers.



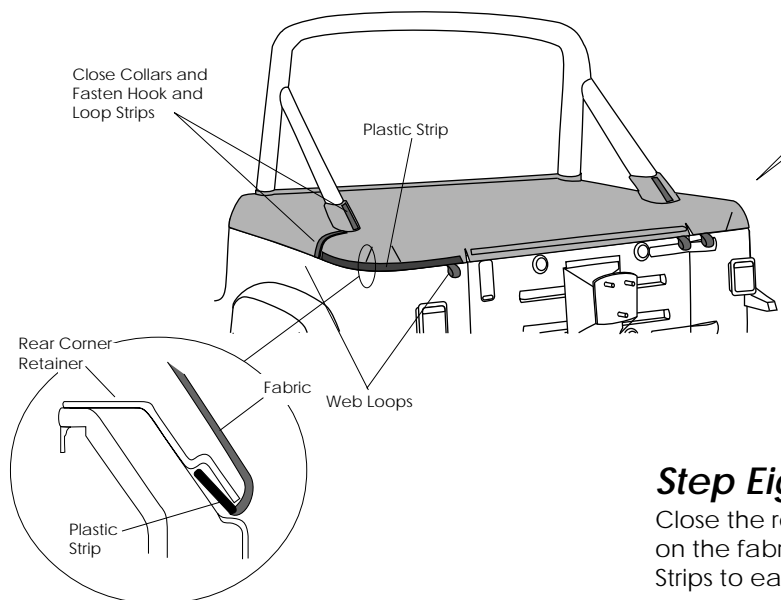
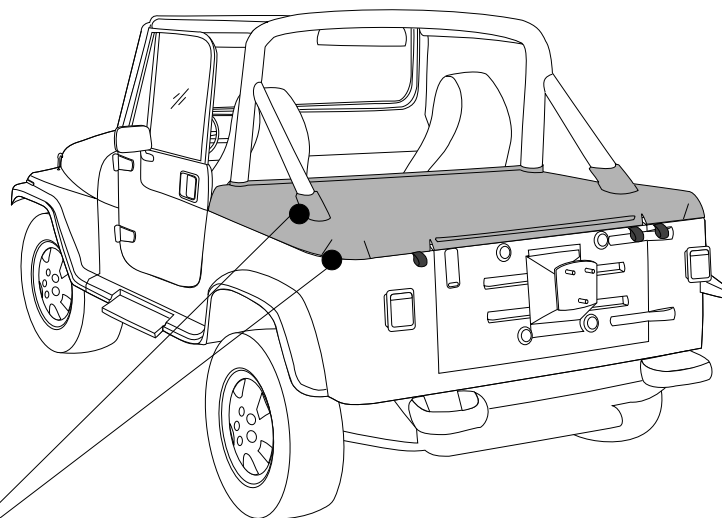
### Step Six

Locate the web straps with buckles attached on the front of the Duster. Wrap the straps around the front sport bars and thread the ends through the buckles.



## Step Seven

Slide the plastic strip, sewn to the rear corners of the cover into the Rear Corner Retainers. Use the web loops sewn to the cover to slide the plastic strip toward the front of the vehicle and make sure that the plastic strip fits up into the retainer so that the collar fits properly.



## Step Eight

Close the rear sport bar collars by pulling firmly on the fabric and fastening the Hook and Loop Strips to each other.

**For Vehicles with Supertop Tailgate Retainers**

**Note:** DO NOT remove or install the tailgate retainer after the Duster has been installed.



90003 5

## Care and Maintenance of your Bestop Top

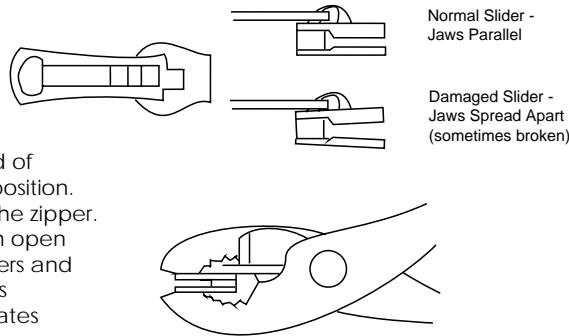
Your top is made of the finest materials available. To keep it looking new and for the maximum possible wear, it will need periodic cleaning and maintenance.

**Washing:** The top fabric should be washed often using soap, warm water and a soft bristle brush. Rinse with clear water to remove all traces of soap.

**Windows:** Keep windows clean to avoid scratching. DO NOT use a brush on the windows! Wash with a watersoaked cloth or sponge and a mild dishwashing detergent. NEVER WIPE THE WINDOWS WHEN THEY ARE DRY. Be careful when cleaning snow or frost from the vinyl windows since they are easily scratched and may crack at low temperatures. DO NOT roll the sides or rear window in cold weather. The windows become stiff and will crack.

**Zippers:** Keeping the zipper cleaned and lubricated with a silicone lubricant will help prevent damage and keep the zippers in a smooth working condition. If a zipper opens behind the slider, the slider may have been spread apart.

This problem can usually be repaired by using an ordinary pair of pliers to bring the sides back into parallel. Return slider to the end of the zipper in the normal Open position. Squeeze lightly at first and test the zipper. If the zipper continues to remain open squeeze more firmly with the pliers and try the zipper again. Repeat this procedure until the zipper operates correctly.



**Water:** Seeping through at the seams may be stopped by applying 3-M Scotchgard® on the inside of the seams. Rips in the fabric may be repaired with Bondex® iron on patches. Iron the patches to the inside of the top, carefully following the Bondex® instructions.

**Snaps:** Keep snaps cleaned and lubricated with silicone to help prevent snaps from sticking to the studs. If a snap does become stuck to a stud, use a screwdriver and GENTLY pry apart to prevent permanent damage to the snap or the top fabric.

## LIMITED WARRANTY

We warrant our product to be free from defects in material and workmanship, for the terms specified below, provided there has been normal use and proper maintenance. This warranty applies to the original purchaser only. All remedies under this warranty are limited to the repair or replacement of any item or items found by the factory to be defective within the time period specified.

If you have a warranty claim, first you must call our factory at the number below for instructions. You must retain proof of purchase and submit a copy with any items returned for warranty work. Upon completion of warranty work, if any, we will return the repaired or replaced item or items to you freight prepaid. Damage to our products caused by accidents, fire, vandalism, negligence, misinstallation, misuse, Acts of God, or by defective parts not manufactured by us, is not covered under this warranty.

THE WARRANTY TIME PERIOD IS AS FOLLOWS: ALL "SOFT GOODS" MANUFACTURED BY OUR COMPANY (USING PRIMARILY VINYL, PLASTICS, AND/OR FOAM): ONE YEAR FROM DATE OF PURCHASE.

ANY IMPLIED WARRANTIES OF MERCHANTABILITY AND/OR FITNESS FOR A PARTICULAR PURPOSE CREATED HEREBY ARE LIMITED IN DURATION TO THE SAME DURATION AND SCOPE AS THE EXPRESS WRITTEN WARRANTY. OUR COMPANY SHALL NOT BE LIABLE FOR ANY INCIDENTAL OR CONSEQUENTIAL DAMAGE.

Some states do not allow limitations on how long an implied warranty lasts, or the exclusion or limitation of incidental or consequential damages, so the above limitations or exclusions may not apply to you.

This warranty gives you specific legal rights, and you may also have other rights which vary from state to state.

For further information or request for warranty work, please contact:

Bestop Inc.  
Customer Service  
(800)346-3910  
(303)465-1755



90003 6